



333 Bayview Avenue
Amityville, New York 11701
For Sales and Repairs, (800) 645-9445
For Technical Service, (800) 645-9440
Publicly traded on NASDAQ Symbol: NSSC

INSTALLATION INSTRUCTIONS

NAPCO FREEDOM F-8 CONTROL PANEL INSTALLATION INSTRUCTIONS



F-TP Touchpad

This manual contains the Installation Instructions for the NAPCO F-8 Control Panel. It is intended to be used in conjunction with the **F-8 Control Panel Programming Instructions (WI1432)** and the **F-TP Touchpad, F-LTRANS and F-TAB Installation Instructions (WI1439)**.

System Overview

The NAPCO Freedom F-TP Touchpad Automatic Deadbolt Security System, a revolutionary new concept in residential security, combines intuitive interactive arming with a passive disarming scheme, providing a system which is not only effortless to use, but also 100% false alarm resistant during the arming and disarming sequences.

The system is armed with a simple push of a button ([STAY] or [AWAY]) on the F-TP Touchpad control module, followed by the locking of the home's deadbolt. To disarm, simply unlock the deadbolt.

The microprocessor controlled F-TP Touchpad uses information provided by its F-TAB deadbolt sensor and built-in PIR (Passive Infrared) motion sensor to ensure fool-proof operation.

The F-TAB deadbolt sensor, which is installed in the deadbolt strike hole, senses the state of the deadbolt (locked or unlocked) and sends this information to the F-TP Touchpad microprocessor, where the decision is made to arm or disarm the system. There are no moving parts in the F-TAB deadbolt sensor to break or wear out; its adaptive inductive system ensures trouble free use. If the position of the deadbolt and the F-TAB sensor changes over time due to the door sagging, deadbolt replacement, etc., the F-TP Touchpad microprocessor will automatically account for, and make, the necessary adjustments for these changes.

The F-TP Touchpad's integral wide-angle PIR motion sensor acts as an occupancy sensor that provides the microprocessor with activity information which prevents the user from making errors during the critical exit and entry periods. For example, if the user presses the AWAY button, opens and closes the door and locks the deadbolt but does not leave, the PIR will sense the user's presence in the home and automatically default to STAY mode arming, preventing a false alarm.

If the system is armed in the AWAY mode, the F-TP Touchpad PIR will prevent an intruder from approaching the deadbolt from inside the premises. If an intruder is detected by the built-in PIR, the system must be disarmed using the F-IFOB digital key.

By allowing this level of system control without traditional numeric keypad interaction, the Freedom Touchpad System will provide a significant reduction in false alarms due to user error and also provide comfortable use of the system to those customers who might feel uneasy arming and disarming the system using a traditional keypad.

The Freedom system also supervises all deadbolts in the system, providing constant deadbolt status on the Touchpad. This feature, typically found on very elaborate high end security systems, makes it impossible for the user to arm their system without first locking all deadbolts.

General Information

The NAPCO Freedom F-8 control panel is designed to work in conjunction with the Freedom F-8 Touchpad, comprising the deadbolt-activated security system. The system provides a maximum of 8 zones, with zones 1 and 2 monitored by the Touchpad, consisting of the magnetic door contact and Touchpad PIR, respectively. Zones 3 through 6 may be hardwired zones connected directly to the control panel or wireless devices reporting to an optional GEM-RECV-XP8 receiver. Zones 7 and 8 may be supported by an optional second Touchpad (magnetic door contact and PIR), protecting a second exit/entry door, or may consist of wireless devices.

The system supports a maximum of 2 Touchpads, which may consist of the following models: F-TP/TAB wireless touchpad (included in F-8KIT1), F-TPG garage touchpad, F-TPBR bedroom touchpad and F-TP/TAB-H hardwired touchpad. See ordering information for details.

In cases where the wireless F-TP/TAB Touchpad is used, a second door may be supported with the use of the F-2D second door kit, which will transmit magnetic door contact and deadbolt status into the primary Touchpad. If two wireless Touchpads are used, a maximum of 4 deadbolts may be protected.

The system may be programmed through the F-PROG programming tool (the F-PROG is optional and is not UL evaluated), or the PCD-Windows downloading software, version 5.2 or higher.

TABLE OF CONTENTS

ORDERING INFORMATION.....	3
LISTINGS AND APPROVALS	3
UL COMPATIBLE SMOKE DETECTORS	3
SPECIFICATIONS	4
INSTALLATION & WIRING	4
PROGRAMMING THE PANEL	5
F-TP TOUCHPAD OPERATION.....	6
FIRE PROTECTION	7
TESTING THE SYSTEM.....	7
F-IFOB DIGITAL KEY OPERATION	7
LOST KEY MODE	8
F-PROG KEYPAD OPERATION	8
ZONE FEATURES	8
SYSTEM TIMES	8
SYSTEM FEATURES	9
CENTRAL STATION PROGRAMMING	10
BACKUP TELCO PROGRAMMING	10
PAGER PROGRAMMING.....	10
REPORT CODES	11
ENHANCED COMMUNICATOR FEATURES.....	11
SIA CP-01 / MISC FEATURES	11
WIRELESS.....	11
DOWNLOADING.....	12
INSTALLER PROGRAMMING.....	12
DOWNLOAD-ONLY FEATURES.....	13
SYSTEM TROUBLES	14
CONTACT ID REPORT CODES	15
F-8 PANEL WIRING DIAGRAM.....	16

NAPCO Freedom F-8 Panel Features:

F-8 Control Panel

- 8 Zones (4 Hardwired/6 Wireless max.)
- 2-wire Fire Zone
- 3 F-TP Touchpad Panics
- Wireless Ready
- Bell Supervision
- Telco Line Cut Detection
- Answering Machine Override (Second Call)
- 50 Event Log

Communicator

- 2 Telephone Numbers
- Backup Reporting
- Pager Format
- Contact ID Format
- Individually Report 8 Users
- Opening after Alarm Report (Cancel Code)
- Conditional Closing Report

Ordering Information

- F-8KIT1** Includes: F-8 Control Panel, F-TP Wireless-Ready Touchpad, F-TAB Boltcup Sensor, F-BOLT-TRANS Wireless Transmitter (with battery) with Bolt Sensor and Magnetic Door Contact inputs, TRF12 XFormer, (3) F-IFOB Digital Keys
- F-8KIT1-H** Freedom F-8 Hardwire Kit. Includes: F-8 Control Panel, F-TP-H Touchpad, F-TAB Boltcup Sensor, TRF12 XFormer, (3) F-IFOB Digital Keys
- F-8KIT2** KIT w/PIR, as above plus 45' 65lb pet immune, microprocessor passive sensor (PIR1680PT)
- F-TP/TAB** Wireless-Ready F-TP Touchpad with integral PIR and Siren, F-TAB Boltcup Sensor, F-BOLT-TRANS Wireless Transmitter (with battery) with Boltcup Sensor and Magnetic Door Contact inputs
- F-TP/TAB-H** Freedom F-8 hardwire Touchpad with integral PIR, Siren, Bolt Sensor and Magnetic Door Contact inputs. Also includes F-TAB Boltcup Sensor
- F-2D** For adding second Freedom Exit/Entry door to existing Freedom Wireless system. Includes: F-TAB Boltcup Sensor, F-BOLT-TRANS Wireless Transmitter (with battery) with Boltcup Sensor and Magnetic Door Contact inputs
- F-LTRANS-R** Wireless Lock Sensor replacement
- F-IFOB** Digital credential used to silence alarm, disarm system in lost key mode
- F-TPBR** Bedroom Touchpad, provides system control in bedroom, includes integral PIR and sounder
- F-TPG** Garage Door Touchpad provides inputs for F-GDMS Garage Door Motor Sensor and Garage Magnetic Door Contact
- F-GDMS** Garage Door Motor Sensor communicates garage door motor activity to the Touchpad, allowing arm and disarm based on authorized operation of garage door controller
- F-GKIT** Garage door kit allows system control through garage door. Includes F-TPG Garage Door Touchpad and F-GDMS Garage Door Motor

- Sensor
- F-MTAB** MORTISE LOCK APPLICATION TAB
- F-DRILLJIG** OPTIONAL STEEL DRILLING JIG TOOL
- F-PROG*** Programming tool for Freedom F-8 Control Panel
- F-DEMO** PORTABLE FREEDOM DEMO
- F-VINSTALL** NEW NAPCO INSTALLATION TUTORIAL (cd)
- F-VHOME** NEW NAPCO CONSUMER VIDEO (vhs)
- F-TAB-R** Replacement F-TAB Bolt Sensor
- F-TP-R** Replacement Wireless-Ready F-TP Touchpad
- F-8PCB-R** Replacement F8 Control Panel circuit board
- R-TRF12** Replacement 16.5 VAC 20 VA transformer
- GEM-RECV-XP8** Wireless Receiver* Supports up to 8 zones, 4 Key Fobs, 4 Smoke Detectors
- GEM-RTRANS** Recessed Door Transmitter
- GEM-TRANS2** Window/Door Transmitter
- GEM-KEYF** Keyfob Transmitter
- GEM-OUT8** Programmable Output Module
- GEM-WP** Wireless Waterproof Panic Button
- GEM-SMK** Wireless Smoke Detector
- GEM-HEAT** Wireless Heat Detector 135°F / Rate of Rise
- GEM-PIR** Wireless PIR
- GEM-PIRPET** Wireless Pet-Immune PIR
- GEM-DT** Wireless Dual-Technology Sensor
- GEM-GB** Wireless Glass-Break Detector
- RB1000** Single Form C Relay Board
- PCD-WINDOWS** WINDOWS PANEL DOWNLOADING SOFTWARE, VSN 5.2 (OR HIGHER)
- PCI2000/3000** Downloading Interface for IBM Compatible PC (includes PCL2000B Local Download cable)
- PCL2000B** Local Download cable
- OI305** Operating Instructions, F-TP Touchpad
- WI1438** Installation Instructions, Wireless Lock Sensor (F-LTRANS)
- WI1439** Installation Instructions, F-TP Touchpad, F-LTRANS (Wireless Lock Sensor) and F-TAB
- WI1432** Programming Instructions, F-8 Panel
- WI1431** Installation Instructions, F-8 Panel
- WI1430** Installation Instructions, Wireless F-TP/TAB
- * NOTE: WIRELESS AND ACCESS FEATURES HAVE NOT BEEN EVALUATED BY UL

Listings and Approvals

UL HOUSEHOLD FIRE, BURGLARY WARNING SYSTEM CONTROL UNIT, AND INTRUSION-DETECTION UNIT. STANDARDS # 1023, 985

A SINGLE F-TP TOUCHPAD SIREN MEETS THE AUDIBILITY REQUIREMENTS OF UL 985 (RESIDENTIAL FIRE) AND UL 1023 (RESIDENTIAL BURGLARY)

THE F-TP TOUCHPAD PIR IS APPROVED UNDER STANDARD UL639 INTRUSION DETECTION UNITS

VERIFIED TO COMPLY WITH F.C.C. PART 15 AS CLASS B: DIGITAL DEVICE

THIS PRODUCT IS APPROVED BY THE CALIFORNIA STATE FIRE MARSHAL (CSFM) NUMBER 7167-0085: 201

UL Compatible Smoke Detectors

F-8 Control Panel Compatible Smoke Detectors

Mfg	4-Wire Smoke Detector		2-Wire Smoke Detector		Detector Base
Sentrol/ESL	449AT	449CSST	712U	731U	701U
	449C	449CLT	722U		702U
	449CRT	449CSLT	732U		702RE
	449CST	449CTE	711U		702RU
	449CSRT	741U	721U		
	449CSRH	742U	721UT		
			*521B/BXT (sw 1 on)		
System Sensor	1112	2112T	2100	**2100AT	
	2112	2112TSRB	2100T	1100	
			2WT-B		
NAPCO	FW-4		FW-2		

* Loop Resistance: 30 Ω (max.)

** Loop Resistance: 30 Ω (max.). Refer to WI1471 for installation instructions.

Specifications

Current & Voltage Ratings

Alarm Output ----- Burg: 12 VDC, 2 A (max.)
 Output Current Limiting----- Burg/Fire: 2.25 A
 AUX Power: ----- 750 mA

UL Residential Burglary (4 Hour Standby)
 Combined Standby Current:----- 500 mA*
 Alarm Current Output: ----- 2 A
 (Using Rechargeable 12 VDC 4 AH BATTERY, minimal requirement)

UL Combination Residential Fire and Burglary (24 Hour Standby)
 Combined Standby Current:----- 120 mA**
 Alarm Current Output: ----- 95 mA Bell, 275 mA Aux
 Power current and 1 F-TP
 Touchpad Siren***
 (Using Rechargeable 12 VDC 7 AH BATTERY, minimal requirement)

*In Residential Burglary applications Combined Standby current must be reduced by 160 mA for each F-TP Touchpad.

**In Residential Fire Applications Combined Standby Current must be reduced by 55 mA for each F-TP Touchpad.

***To disconnect an F-TP Touchpad Siren, do not wire terminal 4 of the F-TP Touchpad.

Transformer and Battery

Required Transformer: ----- NAPCO TRF12 OR
 BASLER 16.5 VAC 20VA
 Required Battery: ----- 12 V 4 AH or 7 AH
 Rechargeable

Change Battery every 5 years, or as required.

Maximum Charging Current: ----- 165 mA
 Maximum Input Current:----- 2.58 A

Loop Characteristics

Loop Voltage: ----- 5 Volts
 Loop Current ----- 1.1 mA
 Loop Resistance:----- 300Ω per zone (max.)
 Two (2) Wire Fire Loop ----- 50Ω (max.) or as specified

Device Specifications

Max # Touchpads:----- 2, current = 75 mA
 Standby
 (160 mA in with Siren On)
 Max # Keypads: ----- 2, F-PROG,
 current = 65 mA
 Max # of receivers: ----- 2, GEM-RECV-XP8
 current = 65 mA each
 Max # of F-IFOB Digital Keys----- 6
 Max # of compatible 2-wire
 smoke detectors : 10
 Max Touchpad wire length : ----- 1000' total wire length

Miscellaneous

Housing Dimensions : ----- 10¹/₄" x 8¹/₄" x 3"
 (26 x 21 x 7.6 cm) HxWxD
 Shipping Weight: ----- F-8KIT1 8.85 lbs.
 Operating Temperature:----- 0-49°C (32-120°F)

Installation

Mounting the F-8 Panel

Mount the F-8 Control Panel close to an unswitched AC source, a cold-water pipe ground, and a telephone line connection.

Mounting the F-TP Touchpad

The F-TP Touchpad should be mounted on the wall adjacent to the deadbolt strike hole at an optimal viewing height for the user. Refer to the F-TP Touchpad Installation Instructions.

Up to two F-TP Touchpads can be connected on individual wire runs with #22 AWG wire.

The system must be designed to detect an intruder attempting to disengage the deadbolt from the *inside* of the premises when the system is armed AWAY.

Terminal #	F-TP Touchpad Wire Color	Control Panel Terminal
1	RED	16 (+PWR)
2	BLACK	17 (GND)
3	GREEN	18 (GREEN)
4	YELLOW	14 (SIREN PWR)

TABLE 1 F-TP TOUCHPAD WIRING

Typical Fire Installation

(Where permitted by local codes)

Install smoke detectors outside each sleeping area and on each floor, including the basement. Install the living room and basement smoke detectors near the stairway

of the next upper level. For increased protection, additional detectors should be installed in areas other than those required, such as the dining room, bedrooms and utility room. Heat detectors, rather than smoke detectors, are recommended in kitchens, attics, and garages due to conditions that may result in false alarms and improper operation.

Refer to NFPA Standard 74 (National Fire Protection Association, Batterymarch Park, Quincy, MA 02269) for additional information, including proper mounting methods.

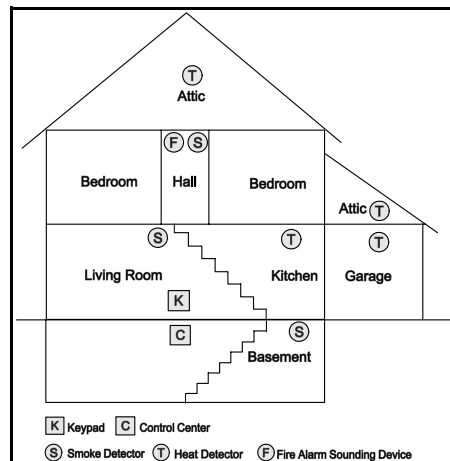


FIGURE 3 Typical Fire Installation

Wiring

Grounding the F-8 Panel

Connect the F-8 Panel EARTH GROUND screw through a No. 16 AWG or larger wire to a metal cold-water pipe. Do not use a gas pipe, plastic pipe or AC ground connections. Connect a wire with a ground lug crimped or soldered onto one end and connect it to the EARTH GROUND screw in the cabinet.

AC Power and Battery Wiring

Complete all wiring before connecting the battery or AC Power. Do not plug the transformer into a switched outlet.

Telephone Wiring

Wire as shown in the wiring diagram in the back of this manual.

WARNING

The FCC restricts the use of this equipment on certain telephone lines. Read the FCC statement on the back of this manual to ensure compliance.

Programming the Panel

Refer to Freedom F-8 Panel Programming Instructions (W11432)

Defaulting the Panel

1. Remove power from the panel.
2. Remove all wiring from terminal 19 (PGM) and terminal 3.
3. Connect terminal 19 (PGM) to terminal 3.
4. Apply power to the F-8 Panel.
5. After a few seconds the ARMED, READY and ▲ SYSTEM TROUBLE LEDs will flash.
6. The F-PROG keypad will beep 3 times indicating the panel default values have been loaded.
7. Remove wiring between terminal 19 (PGM) and terminal 3.
8. Re-install original wiring for terminal 19 (PGM) and terminal 3.

Keypad Programming

Refer to W11432 for information on programming with the F-PROG keypad.

Downloading

The F-8 Panel can be download/uploaded with PCD-Windows Version 4.2 software using the Ring Method, Answering Machine Override (Second Call) or **FUNCTION 6** method of downloading. The panel can also be automatically downloaded/uploaded using the PCPreset utility. For Site Initiated Downloading, see *Auto Download ID Number* [93].

Local Downloading

Wire as shown in Figure 1. Use the power up or **FUNCTION 6** method of establishing a connection. The power up method is recommended if the panel is attempting to report.

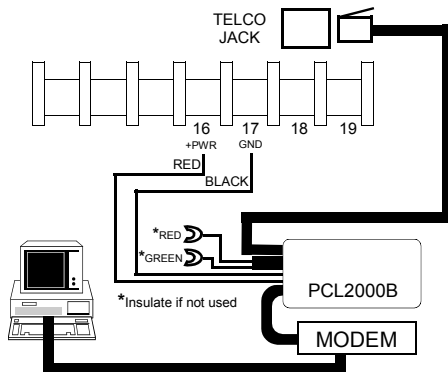


FIGURE 1 LOCAL DOWNLOAD

Remote Downloading

Wire as shown in Figure 2. The panel can be remotely download/uploaded using any one of the following methods:

1. The **FUNCTION 6** method
2. Call-in method
3. Answering Machine Override (Second Call)
4. Site-Initiated (PCPreset & **FUNCTION 6**)
5. Automatic Downloading (Using PCPreset)

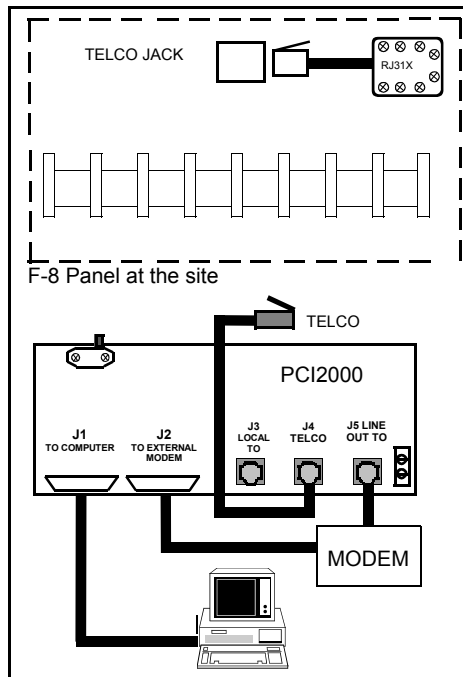


FIGURE 2 REMOTE DOWNLOAD

Burglary Zone Wiring

The F-8 Control Panel provides 4 hard-wired, End-Of-Line Resistor terminated burglary zones. Wire zones as shown in the wiring diagram inside the rear housing. **All resistors must be installed, even if the zone is not used.** If required, the feature *No End Of Line Resistor* may be programmed, in which case a direct short across the zone will be the normal condition (open=fault). **NOTE:** Not for UL applications. Program the zone as a *No EOL Resistor Zone* [06].

If necessary, use the voltage chart below to verify proper voltages. These values represent the DC voltage of the zone while in the indicated state with reference to the zone's respective ground terminal.

Zone Normal (EOL across zone)	2.5 V
Zone shorted	0 V
Zone Open	5 V

TABLE 3 VOLTAGE AT TERMINALS 3, 5 & 6.

Fire Zone Wiring (2-Wire)

Wire the Fire Zone as shown in the Wiring Diagram in the back of this manual. The system supports 2 or 4 wire smoke detectors. An EOL resistor must be installed, even if the Fire Zone is not used. See wiring diagram for 4-wire fire zone.

Fire Zone Normal	13.0V
Fire Trouble	13.8V
Fire	0.0 V

TABLE 4 VOLTAGE AT FIRE ZONE

PGM Wiring

The PGM (Terminal 19) is a switched negative output that is activated through programming option(s) that have been selected in programming addresses [08], [23]-[25]. Connect the device controlled by the PGM between +PWR and the PGM terminal.

(maximum load of 50 mA).

The GEM-OUT8 is an 8-channel active-low interface accessory for use with the F-8, providing 8 independent active-low outputs designed to allow universal voice system and long distance wireless reporting activation simultaneously. Enable location [26-2] to enable the GEM-OUT8 accessory.

Bell Circuit Resistor Requirements

If the built-in siren on the F-TP Touchpad is the only sounding device to be used in the system, do NOT install an End Of Line resistor. Only install a 2.2k bell supervision resistor if the F-TP Touchpad siren is to be disabled. **Install the resistor at the bell or other sounding device.**

Note: If the 2.2k resistor is installed at the F-8 Panel bell terminals, it will be in parallel with the built-in resistor inside the F-TP Touchpad. While installing this 2.2k resistor at the F-8 Panel bell terminals will not cause a system trouble, it will impede the proper supervision of the siren.

Note: For a UL installation using two F-TP Touchpads, only one F-TP Touchpad siren should be activated to ensure proper supervision of the bell circuit wiring. To deactivate siren of the second F-TP Touchpad, do not connect the yellow wire.

Wireless Operation

The Freedom F-8 Panel supports two independent wireless systems, each with receivers and transmitters that are not interchangeable between the two systems.

The first wireless system allows the Freedom deadbolt activation/deactivation to be performed by means of a wireless deadbolt transmitter and a receiver located inside the F-TP wireless Touchpad. For more information, see W11439.

The second wireless system is comprised of the GEM-RECV-XP8 receiver and the use of several wireless transmitters to report zone status and supervision information to the receiver without the use of wires. Each transmitter (such as wireless smoke detectors, window/door sensors, space-protection devices, etc.) is mapped to zones 2-8, one for each zone. **Note:** If an optional second F-TP Touchpad is used in the system, "Enable Zone 7 for Wireless" must be programmed (zone 7 is mapped for this second F-TP Touchpad).

F-TP-Touchpad Operation



F-TP Touchpad Indicators

F-TP Touchpad Indicators READY, ARMED, STAY, FIRE, TBL and AC • provide system status.

READY The green READY light shows the status of the zones in the system, as well as the optional second deadbolt.

ON indicates that all perimeter zones are secure and the system is ready to be armed.

FLASHING indicates that at least one zone is open. To determine the open zone, count the number of flashes and refer to the zone list on your security panel.

OFF indicates that the optional deadbolts 2-4 are not locked. If there are multiple deadbolts in the system, the other deadbolts **must** be locked before the system can be armed.

ARMED The red ARMED light ON indicates that the system is armed. FLASHING indicates that the system is *in alarm*. To determine the zone in alarm, count the number of flashes and refer to the zone list on your security panel. Press SILENCE to clear the alarm memory.

STAY The yellow STAY light ON indicates that the system is armed in the STAY mode, allowing free movement throughout the premises, while maintaining perimeter protection.

FIRE The red FIRE light will flash to indicate that the system is in a Fire Alarm Condition. If a fire is in progress, evacuate the premises immediately!

TBL The yellow TROUBLE light will light and the Touchpad sounder will pulse to indicate that a system trouble is present.

• **AC** The green AC Light ON indicates that AC Power is present.

SIREN - The F-TP Touchpad has an integral alarm siren. It will sound a steady tone when intrusion is detected or a distinct pulsating tone for a fire alarm condition.

Touchpad Controls

(For detailed operation, refer to User Guide OI305).

STAY Button - Press to arm system in STAY mode. Perimeter devices such as windows and doors will be protected, while all interior protective devices such as motion sensors will be de-activated, allowing free movement throughout the premises.

AWAY Button - Press to arm system in AWAY mode when no one is to remain home. System will be fully armed with perimeter and interior protection.

BYPASS Button - This button has multiple func-

tions, depending on the state of the panel.

BYPASS - If you are attempting to arm the system with open zones that cannot be immediately repaired, press BYPASS to temporarily remove these zones from the system. The F-TP Touchpad will beep and TBL will light steady. Press STAY or AWAY to arm the system as usual.

TEST - Hold Down BYPASS for 4 seconds (and release) to generate a test report to the central station and chirp the siren. Hold down BYPASS for 8 seconds to perform a "system walk test" of the protective devices.

- Walk through the areas protected by motion sensors. The F-TP Touchpad will beep when the zone is violated and again when the zone is restored.
- Open and close all protected doors and windows and listen for the corresponding Touchpad beeps.
- To test transmitter signal strength, see "Testing the System" on the next page.

After testing the protective devices, the F-TP Touchpad READY indicator will flash out the zone number of all zones which have been activated. Press SILENCE to clear the display and end the test.

SILENCE Button - Press to silence a Fire Alarm, silence system troubles and view system troubles.

- Remove F-IFOBs from system: Insert Master F-IFOB (until beep), then hold SILENCE button for 4 seconds (until beep). **Note:** Master F-IFOB will not be removed.
- Test Local F-TP Touchpad PIR Motion Detector: Hold SILENCE button for 8 seconds, until second beep. Test the F-TP Touchpad's PIR Motion Detector by walking in front of it. Press SILENCE to reset. The F-TP Touchpad sounder will beep when the internal PIR is tripped.

Arming when Leaving (AWAY mode)

If you are leaving (and no one is left at home) and you want to arm the entire system:

1. **Check the F-TP Touchpad indicators.** The green READY light must be ON-STEADY, indicating that the system is ready to arm.
 - If the green READY light is BLINKING, this indicates that a zone is faulted. The READY light is "blinking out" the zone number of the open zone. Count the flashes and look at your zone list to see which zone is open and secure it.
 - If the green READY light is OFF, the optional second deadbolt is not locked. If there are two deadbolts in the system, they both **must** be locked before the system can be armed.
2. **Press the AWAY button.** The ARMED indicator will begin to flash, indicating the 60 second exit delay period.
3. **Open the door and exit.**
4. **Lock the deadbolt** from the outside to arm the system. If the deadbolt has not been locked within 60 seconds of pressing AWAY, the system will revert back to a disarmed state.

NOTE: For 60 seconds from the point of arming Away (deadbolt engaged), the system will check for activity within the premises. If the system F-TP Touchpad motion sensor (or any other system motion sensor programmed as an E/E Follower zone) detects

movement within 60 seconds of arming, it will automatically revert to Stay mode, providing perimeter protection with the interior protection off. Any activity detected after 60 seconds will result in an alarm. (Requires [27-2] be enabled).

Arming when Staying (STAY mode)

Arming in the Stay Mode allows you to remain home with the perimeter protection active and the interior protection off so that you may move freely within the premises.

1. **Check the F-TP Touchpad indicators.** The green READY light should be ON-STEADY, indicating that the system is ready to arm.
2. **Press the STAY button.** The STAY and ARMED indicators will begin to flash, indicating the 60 second exit delay period.
3. **Lock the deadbolt** from the inside to arm the system. If the deadbolt has not been locked within 60 seconds of pressing STAY, the system will revert back to a disarmed state.

Arming when Leaving Others Home (STAY mode)

If you are leaving and other family members are remaining home:

1. **Check the F-TP Touchpad indicators.** The green READY light should be ON-STEADY, indicating that the system is ready to arm.
2. **Press the STAY button.** The STAY indicator will begin to flash, indicating the 60 second exit delay period.
3. **Open the door and exit.**
4. **Lock the deadbolt from the outside** to arm the system. If the deadbolt has not been locked within 60 seconds of pressing STAY, the system will revert back to a disarmed state.

Exiting with System Armed (Others Home)

If the system is Armed STAY and you are leaving other family members home:

1. **Press the STAY button.** The STAY indicator will begin to flash, indicating the 60 second exit delay period.
2. **Unlock the deadbolt** from the inside.
3. **Open the door and exit.**
4. **Lock the deadbolt from the outside** to arm the system. If the deadbolt has not been locked within 60 seconds of pressing STAY, the system will revert back to a disarmed state.

Exiting with System Armed (No one else Home)

If the system is armed Stay (with perimeter protection), and you wish to leave (with perimeter and interior protection), with no one else at home:

1. **Press the AWAY button.** The AWAY indicator will begin to flash, indicating the 60 second exit delay period.
2. **Unlock the deadbolt from the inside.**
3. **Open the door and exit.**
4. **Lock the deadbolt from the outside** to arm the system. You should hear a siren chirp confirming Arm AWAY. If the deadbolt has not been locked within 60 seconds of pressing AWAY, the system will revert back to a disarmed state.

Bypassing faulted zones

If you are trying to arm the system with faulted zone(s), the green READY light will be blinking out the number of the faulted zone. If you

cannot locate or repair the zone, it can be removed from the system, or *bypassed*. Bypass the zone(s) by pressing the BYPASS button (you will hear a beep). The yellow TBL indicator will light STEADY to indicate that the zone has been bypassed. The system may now be armed as usual.

1. Press the BYPASS button. The F-TP Touchpad will beep and the yellow TBL indicator will light ON STEADY.
2. Either Press the STAY or AWAY button.
3. If arming AWAY, open the door and exit.
4. Lock the deadbolt.

Disarming when returning home:

When returning home, simply unlock the deadbolt from the outside to automatically disarm the system. The red ARMED light will go out and the green READY light will come on.

Disarming when Home (Armed Stay):

When home with the system armed in the Stay mode, unlocking the deadbolt from the inside will disarm the system. The red ARMED light and yellow STAY will go out and the green READY light will come on.

Silencing an Alarm

If an alarm occurs while you are at home:

The red ARMED light will be flashing and the F-TP Touchpad siren will be sounding. To silence the alarm, insert the F-IFOB key into the F-IFOB slot on the F-TP Touchpad.

The red ARMED light will continue to flash the number of the zone (or zones) on which the alarm occurred.

If an alarm occurs while you are away:

When you unlock the deadbolt to enter, the F-TP Touchpad sounder will activate to warn you that an alarm had occurred while you were away and the system must be disarmed manually. To disarm the system, insert the F-IFOB key into the F-IFOB slot on the F-TP Touchpad.

The red ARMED light will continue to flash the number of the zone (or zones) on which the alarm occurred. Press SILENCE to clear the display.

Fire Protection

Fire Alarm (optional)

If a fire is detected, the siren will sound a distinct pulsating tone and the FIRE indicator on the F-TP Touchpad will be flashing.

Fire-Zone Trouble

The system is constantly monitoring the Fire Zone to insure the connections to the protective devices are in good working order.

- If the system detects an open on the Fire Zone, a system trouble will display. The sounder will activate and the TBL light will blink 7 times.

Press the SILENCE button to silence the sounder.

Emergency Buttons (Programmable)

The Emergency Buttons, if programmed, are always active, whether the system is armed or disarmed. The emergency signal will only be transmitted when the Emergency Button is Held Down for 3 seconds.

- **Police Emergency** Hold down the Police Emergency button to alert the central station of a police emergency.

- **Fire Emergency** Hold down the Fire button to alert the central station of a fire emergency.
- **Auxiliary Emergency** Hold down the Aux button to alert the central station of an Auxiliary emergency.

Note: The Aux button may be programmed to function as either an Auxiliary Emergency button or a "service report" button. For Auxiliary Emergency reporting, enable [20-2] (Contact ID Code 140-00).

Testing the System

The following one-step test will test the system's siren and central station communicator:

Hold Down the BYPASS button for 4 seconds (until the F-TP Touchpad beeps). The system will generate a test report to central station (Contact ID code 602) and momentarily sound the siren.

- If the siren does not sound, or sounds weak, check the backup battery and the associated wiring.
- If the system indicates a communication failure system trouble (TBL flashing 3 times), call for service. (The communication failure system trouble may take a few minutes to appear).

A subsequent single press of the SILENCE button will silence the trouble indication.

Zone Test

Hold Down BYPASS for 8 seconds to perform a "system walk test" of the protective devices.

- Walk through the areas protected by motion sensors. The F-TP Touchpad will beep when the zone is violated and again when the zone is restored.
- Open and close all protected doors and windows and listen for the corresponding F-TP Touchpad beeps.

Wireless Signal Strength Test

The F-TP Touchpad will provide an audible indication of each transmitter's signal strength. The signal strength metering is based on a scale of 4 to 10, with 4 being marginal and 10 being excellent.

The F-TP Touchpad will "beep out" a number, from 1-4, corresponding to the signal strength of the transmitter (see Table 5). Each beep is 1 second in length. The Touchpad will sound a short (.25s) beep for transmitters with signal strengths of 3 or less.

SIGNAL STRENGTH	F-TP TOUCHPAD SOUNDER
3 or less	.25s BEEP
4	BEEP
5	BEEP BEEP
6-7	BEEP BEEP BEEP
8-10	BEEP BEEP BEEP BEEP

TABLE 5 AUDIBLE SIGNAL STRENGTH INDICATION

Simultaneously, the F-PROG keypad will provide both an audible (Table 5) and visual (Figure 6) indication of transmitter signal strength:

1	Signal Strength = 4
1 2	Signal Strength = 5
1 2 3	Signal Strength = 6-7
1 2 3 4	Signal Strength = 8-10

FIGURE 6 VISUAL SIGNAL STRENGTH INDICATION

Test PIR

Hold Down SILENCE for 8 seconds. Confirm that the F-TP Touchpad beeps when walking through the protected area.

After testing the protective devices, the T-TP Touchpad READY indicator will flash-out the zone number of all zones which have been activated. Press SILENCE to clear the display and end the test.

F-IFOB Digital Key Operation



The F-IFOB is a uniquely coded digital key which performs the following functions when inserted into the F-IFOB slot on the F-TP Touchpad:

- Disarm an armed system
- Silence an active alarm

The system supports up to (6) F-IFOBs, 1 Master and 5 additional F-IFOBs. The Master F-IFOB supports the 3 functions listed above, plus the ability to enroll additional F-IFOBs into the system.

All F-IFOB activity is logged in the F-8 Panel's event buffer. F-IFOBs are identified by User, with User 1 representing the Master F-IFOB and the additional F-IFOBs identified as Users 2 through 6, as determined by the order in which the F-IFOBs were enrolled.

Enrolling the Master F IFOB

The first F-IFOB enrolled into a new system will automatically be designated as the Master. The following procedure is used to enroll the master into a new system (a system which has not yet had any F-IFOBs enrolled):

1. With the system disarmed, insert the Master F-IFOB into the F-IFOB slot on the F-TP Touchpad for approximately 3 seconds and then remove.
2. Re-insert the Master F-IFOB and then remove.
3. The F-TP Touchpad will beep to indicate that the F-IFOB has been properly enrolled.
4. Test the Master F-IFOB by arming the system in the STAY mode and using it to disarm system (insert into the F-IFOB slot and then remove).

Enrolling Additional F-IFOBs

After the Master F-IFOB has been enrolled, additional F-IFOBs may be enrolled using the following procedure:

1. With the system disarmed, insert the Master F-IFOB into the F-IFOB slot on the F-TP Touchpad.
2. Remove the Master F-IFOB.
3. Within 8 seconds, insert the new F-IFOB into the F-IFOB slot on the F-TP Touchpad.
4. Remove the new F-IFOB.
5. Test the new F-IFOB by arming the system in the STAY mode and using F-IFOB to disarm system.

Repeat the above steps for each F-IFOB to be enrolled.

Replacing a lost Master F IFOB

Should the Master F-IFOB be lost, the F-IFOB's digital code must be cleared from the F-8 Panel program before a replacement Master F-IFOB can be enrolled. This may be accomplished either remotely or locally.

Remotely:

1. Establish a connection to the F-8 Panel using the PCD-Windows downloader software.
2. Upload the existing User Program.
3. Go to the User Code screen and reset the User 1 code to the default value of 1234.
4. Download the User Program to the control panel.

Locally:

1. Using a F-PROG keypad programming tool, enter the Installer program mode.
2. Go to the User 1 Code field (address [95]) and reset it to the default code of 1234. (press [RESET] [9] [5] [1] [2] [3] [4]).
3. Exit the Installer Program Mode.

Once the User 1 code has been restored to default, a new Master F-IFOB may be learned using the **Enrolling the Master F IFOB** procedure above.

Lost Key Mode

In the event that the keys to your deadbolt are lost or stolen, the system may still be used by arming in the *Lost Key* mode. In *Lost Key* mode, the system may be armed as usual, however unlocking the deadbolt will not disarm the system. The system may **only** be disarmed with the F-IFOB digital key.

Simultaneously press the STAY and AWAY buttons for 4 seconds to put the system in the lost key mode. The TBL (Trouble) light will begin to pulse. The system may be armed as usual, however, it may only be disarmed with your F-IFOB. To confirm system is in Lost Key mode, press SILENCE. The TBL light will pulse 6 times. Press SILENCE again to return to normal operation.

When arriving home to an armed system, open your Entry door and enter the premises. The F-TP Touchpad sounder will sound to remind you to disarm the system. You must insert the F-IFOB into the F-IFOB slot to disarm the system within 30 seconds, or the alarm will sound.

NOTE: If your deadbolt key is lost, it is important that you have your locksmith re-key the deadbolt, or have the deadbolt replaced as soon as possible. In addition, we strongly recommend keeping your F-IFOB on a different key ring as your deadbolt key.

To exit Lost Key mode and return to normal operation, simultaneously hold down the STAY and AWAY buttons for 4 seconds. The TBL light will stop flashing, thus exiting Lost Key mode.

F-PROG Programmer Operation

(Optional)

User Program Mode

To prevent the loss of the User 1 Code, the panel default program includes *User 1 Code Lockout* [96-2].

To change the User 1 Code from its default value of 1234, program the 4-digit User 1 Code through Installer Programming [95]. User 1 Arm/Disarm code is used to program User Codes 2-8. By default, the User 1 code cannot be re-programmed by the user.

If it is necessary to allow the user to re-program the User 1 code, it can be changed through downloading or Installer keypad programming. From Installer Program Mode, change the *User 1 Code Lockout* ([96-2] LED=OFF) to disabled.

If the user wishes to use the F-IFOB(s) to Silence/Disarm in addition to the keypad Arm/Disarm code, the Master F-IFOB must be programmed as the User 1 code and the keypad Arm/Disarm codes must be entered using the Master F-IFOB ID number to enter User Program Mode. Once the Master F-IFOB is enrolled in the system, its ID number can be determined in Installer Program Mode. The User Program Code is the Master F-IFOB ID number. Although F-IFOBs do not have their ID numbers printed on them, the Master F-IFOB, once enrolled, will display its number in Installer Program Mode (address 95...press [INTERIOR] to view all 4 numbers). Use this number in place of the default (1,2,3,4) User Program Code to enter the user Arm/Disarm codes.

Entering User Program Mode

1. Enter [FUNCTION] [8A]
2. Enter User 1 Code ([1] [2] [3] [4]) (Default)
3. Press [ON]

While in User Program Mode, the "Armed", "Status" and ▲ System Trouble LEDs will continue to flash, follow the example below to program **User 2's** code to 1923.

User Mode Programming Example:

1. Press [2], Zone 2 LED will Flash.
2. Enter [1] [9P] [2] [3], Zone 2 LED will continue to flash until the 4th digit is entered. The keypad will beep 4 times confirming a valid entry (Zone LED steady).

Deleting a User Code

Press the number of the User to be deleted, the zone LED will be flashing indicating that the user has been selected. Press the [INSTANT] key, the LED associated with the user will now be OFF.

Exiting User Program Mode

To exit User Program Mode, press [RESET].

Zone Features

[00]Exit/Entry Zones

Delay allows exit and entry through an Exit/Entry Zone—after the system is armed—without setting off an immediate alarm. *Exit Delay* allows the user to leave the premises after arming. *Entry Delay* allows the user time to enter and disarm. The entry delay may be canceled by pressing [INSTANT].

[02]Exit/Entry Follower Zones

Entry Delay allows the user time to enter and disarm. Allows exit after the panel is armed without setting off an immediate alarm and allows entry only if an *Exit/Entry Zone* [00] has been violated first.

Group Bypassing - Zones programmed as *Exit/Entry Follower Zones* will be Group bypassed if [INTERIOR] is pressed while disarmed or within the *Exit Delay*.

[04]24-Hour Protection

A zone that provides protection at all times, whether or not the system is armed.

[05]40 ms Loop Response

Normally loop response is 750 ms, select this option to change the loop response to 40 ms. The slower the loop response, the less sensitive the system will be to intermittents (swingers). The programming option is not

permitted for UL installations on zones 3-6.

[06]Disable EOL Resistor

Program this zone type if an End Of Line Resistor is not required on the zone(s). If programmed, a direct short across the zone will be the normal condition (open = fault).

This programming option is not permitted for UL installations.

[07]Sounder Output

Enables the Bell Output / F-TP Touchpad siren on a zone alarm for each zone selected. The Bell Output will remain ON for the length of time programmed for *Burg (Steady) Output* [07]; 0 means output will stay ON until reset.

[08]PGM Output

The PGM output (terminal 19) is a negative trigger output which may be used to drive an LED, low current (<50 mA) relay or to trigger an input to a long range radio. [08] enables the PGM Output to activate on a zone alarm for each zone selected. The PGM Output will remain ON until reset.

[09]Selective Bypass

If programmed, selected zones will be able to be bypassed by the User. By default, all zones are permitted to be bypassed.

System Times

[10]Exit Delay

The delay time which permits exit through an *Exit/Entry Zone* [00] after the system is armed, allows a user to leave the premises without setting off an immediate alarm. *Exit Delay* may be programmed for up to 255 seconds (4¼ minutes); a value of 0 defaults to 45 seconds for SIA CP-01 (and 15 seconds otherwise). SIA CP-01 Required Default = 60 seconds.

[11]Entry Delay

Delay time permits entry through *Exit/Entry Zone(s)* after the system is armed without setting off an immediate alarm. *Entry Delay* allows the user time to enter and disarm the system. Upon entering, the Touchpad sounder will sound a steady tone (Entry Sound) to remind the user to disarm the system. *Entry Delay Time* [11] may be programmed for up to 255 seconds (4¼ minutes); a value of 0 defaults to 30 seconds (therefore, any time period programmed will be added to 30 seconds). *Entry Delay* may be canceled by pressing [INSTANT] before or after arming. SIA CP-01 Required Default = 30 seconds.

[12]Burg (Steady) Output Time-out

Can be programmed from 1 to 255 min (4¼ hours); 0 means output will stay ON until turned off by entering an Arm/Disarm Code.

[13]Fire (Pulsed/Temporal) Output T/O

Can be programmed from 1 to 255 min (4¼ hours); program 0 for output active until silenced by IFOB or keypad Arm/Disarm Code. For temporal pattern sounder, enable [96-3] UL Household Fire.

[14]Test Timer Interval

If Test Timer [36-4] is enabled, program the interval, in days, between Test Timer reports. Valid entries are from 1 to 255 days.

[15]Line Cut Time-to-Fail

Enable this feature by programming the delay time required to declare a line cut failure. Programming 000 will disable line cut detection.

[16]Wireless Supervisory Timer

A transmitter will send a transmission every time it is tripped; when there is no activity, the transmitter sends a supervisory transmission about once an hour. If the receiver does not receive any signal (either a trip or a status) from a transmitter in the time specified, a system trouble "RF Supervisory Failure" will be indicated at the keypad. Timer is programmable from 1-26 hours; 0 means NO supervision. **Note:** 10 hours must be programmed for UL installations.

[17]Wireless Smoke Sprvsry Timer

A wireless smoke detector will send a transmission every time it is tripped; when there is NO activity, the smoke detector sends a supervisory transmission about once an hour. If the receiver does not receive a signal (either a trip or a status) from a transmitter in the time specified, a system trouble "RF Supervisory Failure" will be indicated at the keypad. The Supervisory timer is programmable from 1-8 hours; 0 means NO supervision. **Note:** 4 hours must be programmed in UL installations.

[18]Test Timer Offset

Enter the time, in hours, that a Test Timer will be used once to report after Installer Mode has been exited. With the default value of 12, the test timer will be sent 12 hours after exiting Installer Mode. The test timer can also be offset using PCD-Windows Downloading Software. On power up the test timer is sent immediately. Follow the commands below to offset the test timer using Quickloader Software:

1. From the Status Screen, select **Miscellaneous**
2. Enter the number of hours for Test Timer Offset
3. Select **Set Test Timer Offset**
4. Select **OK**

System Features

[20]F-TP Features 1

(1) Enable F-TP Touchpad Fire

Program to send a Fire alarm report (Contact ID Code 110-00) to central station upon press of Touchpad Fire button.

Additional Programming required:

Select reporting to Telco 1 [36-1] or Pager [56-1].

In UL installations, [27-4] must be programmed if this feature is enabled.

(2) Enable F-TP Touchpad AUX

Program to send an Auxiliary alarm report (Contact ID Code 140-00) to central station upon press of F-TP Touchpad AUX #3.

Additional Programming required:

Select reporting to Telco 1 [36-2] or Pager [56-2].

(3) Enable F-TP Touchpad Panic

Program to send a Police Emergency alarm report (Contact ID Code 123-00) to central station upon press of F-TP Touchpad police shield button.

Additional Programming required:

Select reporting to Telco 1 [36-3] or Pager [56-3].

(4) **Enable Touchpad Ambush** - If enabled, a 2 second hold-down of the F-Touchpad's Silence button within 15 seconds of disarming, and/or the 8th User Code when entered to disarm the system will send an Ambush report. Additional Programming required:

- Program User 8 Arm/Disarm Code.
- Select reporting to Telco 1 [36-2] or Pager [56-2].

UL Installations: If F-TP Touchpad / Keypad Fire [20-1] is enabled, the keypad must be mounted within (3) three feet from the F-8 Panel. If [20-4] is enabled, [36-2] must be enabled.

[21]F-TP Features 2

(1) **Audible Panic** - Enable this option to change F-TP Touchpad Panic from silent to audible.

(2) **Exit/Entry with Urgency** - select to give an audible indication of Exit and Entry times. During the last 10 seconds of entry and exit time, the Touchpad sounds a distinct sound to indicate the premises must be left or the F-8 Panel must be disarmed.

(3) **Display Bypassed (Armed)** - Select to display bypassed zones while the F-8 Panel is armed.

(4) Service Enable

The F-8 Touchpad **Aux** button may be programmed for either Auxiliary Emergency reporting [20-2] (Contact ID Code 140-00) or as an Service Report [21-4] (Contact ID Code 616-00). Test Timer [36-4] also must also be activated for Service report.

[22]Miscellaneous Features 1

(1) **Dialer (Abort) Delay** - Program to allow a 30 second Delay (except *24 Hour Zones*) after a zone alarm and before reporting. Disarm the system within 30 seconds to prevent reporting if [79] is not programmed.

(2) Reserved

(3) **Swinger Shutdown** - Automatically disables armed zones with excessive alarm/restores (swingers) while armed. If enabled, Swinger Shutdown applies to all non-24-Hour protection zones. A maximum of 3 alarms and 2 restores are allowed per zone while armed before the zone is disabled. This programming option is not permitted for UL installations.

(4) **Bell On Line Cut (Armed)** - Activated (ON) by default. Activates the Sounder Output if the telephone line has been cut while the F-8 Panel is armed. **Note:** A time period must be entered in location [15] **Line Cut Time-to-Fail**, in order for [22-4] **Bell On Line Cut** to function. This programming option is not permitted for UL installations if [80] is not programmed.

[23]PGM-Prog. Output (T 19) Features 1

(1) **PGM on Audio Verification** - Enabled by default to activate the PGM during reporting. Select specific zones for audio verification by programming the desired audio verification zones & events in *PGM Output* [08], *PGM Features 2* [24] and *PGM Features 3* [25]. Connect the PGM to the Veriphone™ trigger low input. When location [23-1] is enabled, PGM locations [08], [24], [25] are overridden and location [61] is used instead. If location [23-1] is NOT selected, then locations [08], [24] and [25] are used to control the PGM.

(2) Reserved

(3) **Follow Keypad Sounder** - The following keypad sounds will activate the PGM output: Entry Sounder, Keypad Pulsing Sounder, Keypad Output on Alarm, Chime, Fault Find.

(4) **Chirp Bell on Remote (Keyfob) Arm** - Enabled by default. (SIA CP-01 Requirement).

[24]PGM-Prog. Output (T19) Features 2

(1) **Fire** - Program to activate the PGM on a Fire alarm.

(2) **AUX** - Program to activate the PGM on a AUX alarm.

(3) **Panic** - Program to activate the PGM on a Panic alarm.

(4) **Test Timer** - Program to activate the PGM during a Test Timer report.

[25]PGM-Prog. Output (T19) Features 3

(1) **AC Fail** - Program to activate the PGM on the loss of AC. (15 minute delay)

(2) **Low Battery** - Program to activate the PGM on a Low Battery condition.

(3) ***Trouble** - Program to activate the PGM on a Trouble condition.

(4) **Armed** - Program to activate the PGM when the panel is Armed. The PGM output will flash when the panel has gone into alarm.

*Includes Bell Cut, Fire Trouble, Receiver Fail-to-Respond, Receiver Tamper, Receiver JAM, Wireless Low Battery, Wireless Supervisory Fail, Stuck PIR Failure, Zone Trouble.

[26]Miscellaneous Features 2

(1) **Momentary Keyswitch Arming** - For Keyswitch Arm/Disarm, connect a normally-open momentary Keyswitch across Zone 6 zone AND its 2.2K EOLR.

(2) **Enable GEM-OUT8**. Allows the GEM-OUT8 to function with the F-8 Panel, providing 8 outputs that allow the combination of CSVM voice verification, 7845CZ cell back-up and 2 outputs following the KEYFOB A1 and A2 buttons functioning simultaneously with the F-8 Panel. Refer to [61].

(3) **Inhibit Fail-to-Communicate Display** - This option prevents the keypad from either indicating or sounding when a Fail to Communicate has occurred. This programming option is not permitted for UL installations.

(4) **Inhibit Low Battery Display** - Program to inhibit the Low Battery Display at the F-TP Touchpad / keypad. Low Battery Reporting is not inhibited. This programming option is not permitted for UL installations.

[27]Miscellaneous Features 3

(1) **Keyswitch Polarity** - Works in conjunction with the momentary keyswitch function [26-1]. When [27-1] is NOT enabled, the switch type is a momentary N/O switch wired in parallel with the EOLR (see the description [26-1] above). To convert keyswitch operation from Normally Open style to Normally Closed, enable [27-1] Keyswitch Polarity, with the momentary N/C switch wired in series with the EOLR. **Note:** Both types of switches must be momentary.

(2) Away to Stay PIR zones

When selected, if the system is armed in the AWAY mode and interior zone activity is detected within 60 seconds of the system arming, the arming profile will be automatically changed from AWAY to STAY. This programming option is not permitted for UL

installations.

(3) Stuck PIR Supervised

When selected, any interior zone which is faulted at the point of arming and remains faulted (with no restore) for 4 hours will be considered a "stuck" PIR and automatically bypassed from the system. A trouble report will be sent to central station indicating Interior Zone Trouble (Contact ID code 389-00X). This programming option is not permitted for UL installations.

(4) F-TP Touchpad Audible Supervision

When selected, an open circuit to the F-TP Touchpad will sound an audible trouble indication (siren chirp).

[28]Number of Re-Dials if using GEM-OUT8

The number of re-dial attempts made by the panel if using a GEM-OUT8, with [26-2] enabled. During a Line Cut or Fail-to-Comm trouble, location [28] will control the number of dial attempts.

[69]Miscellaneous Features 4

(1) Priority on all zones:

When disarmed, a non-bypassed faulted zone will flash the zone number. A faulted non-bypassed zone will prevent arming when the deadbolt is engaged. This option **must** be programmed for UL installations.

(2) Reserved

(3) Disable CHIME on Power Up

All perimeter zones will chime on fault. Keypad, if used, will allow toggling chime on/off.

(4) **Fire Alarm Verification** - Default is *disabled*. If this feature is enabled, the first trip of a smoke detector will not generate an alarm. The panel will remove power from the smoke detector for 14 seconds, allow the smoke detector to reset for 6 seconds then wait for another trip for 60 seconds. Only if another trip is sensed within the 60 seconds will the system generate a fire alarm.

Central Station Programming

[30]Subscriber ID Number

For 4/2 format, enter a 4 digit number. If 3/1 format is required, enter a 3 digit number, then press **[INSTANT]** to blank the last digit.

[31]Telephone Number 1

Program the telephone number to be dialed for Telephone Number 1. Program the number directly, just as it is entered on a TouchTone telephone. A fixed Dial Tone Detection (E) is included in the *Dialing Prefix* (address number 44). Programming an E is not required for Telco 1, Backup and Pager. Use **[INSTANT]** to blank out remaining digits in the telephone number.

[32]Receiver Format

Select the receiver format (enter number listed below) to be used to report for Telephone Number 1. Must be set to 6 for Contact ID/Point ID.

- [0] Disabled
- [1] Ademco Slow
- [2] Radionics Slow
- [3] Silent Knight Fast
- [4] Universal High Speed
- [5] Reserved
- [6] Ademco Point ID
- [7] Pager

[33]Receiver Options

(1) **2300 Hz HS/Kissoff** - Enable for 2300

Hz Handshake and Kissoff (pulse format).

(2) **Sumcheck** - See address [32]. Only used for the following Receiver Formats: *Ademco Slow, Radionics Fast, Silent Knight Fast and Universal High Speed*. This is a sophisticated data format used to enhance the speed and check the accuracy of the received transmission. This format should be used whenever the central station has sumcheck capability. Instead of sending a second round to verify correct data, the panel sends a Sumcheck digit after sending the Subscriber ID and Alarm Code.

(3) **Single Digit** - 3/1 receiver format. 3-digit Subscriber ID number and a 1-digit Alarm Code will be transmitted.

(4) **No Handshake** - See address [32]. If programmed, no Handshake/Kissoff will be required by the panel.

[34]Zone Report, Telco 1

Select zone(s) required to send an alarm report to Telephone Number 1.

[35]Zone Restore Report, Telco 1

Select zone(s) required to send a restore report to Telephone Number 1. The zones will send a restore after Bell time-out, unless programmed as silent zones.

[36]System Reporting, Telco 1

(1) **F-TP Touchpad Fire** - Program to activate a Touchpad Fire report (🔥).

(2) **F-TP Touchpad AUX AMBUSH** - Program to activate an AUX or AMBUSH report (A button on Touchpad). **Note:** If [36-2] is enabled, [20-4] must also be enabled.

(3) **F-TP Touchpad Panic** - Program to activate a Panic report (Touchpad Aux button #3).

(4) **Test Timer / Comm. Test** - Program to activate a Test Timer report. Test Timer Interval [14] must also be programmed for periodic Test Timer Report. Test Timer [36-4] also must be activated for Test report.

- To enable the Communicator Test, enter Program Mode, go to address 36 and press 4. For Comm. Test only, do not program [14].

[37]System Reporting, Telco 1

(1) **AC Fail Report** - Program to activate an AC Fail report (15 minute fixed report delay).

(2) **Low Battery Report** - Program to activate a Low Battery report.

(3) **Trouble Report** - Program to activate a Trouble report. (See Note A, below).

(4) **Fire Report** - Program to activate a Fire report.

[38]System Restore Report, Telco 1

(1) **AC Restore** - Program to activate an AC Restore report.

(2) **Battery Restore** - Program to activate a Battery Restore report.

(3) **Trouble Restore** - Program to activate a Trouble Restore report. (See Note A, below).

(4) **Fire Restore** - Program to activate a Fire Restore report.

Note A: (Applies to [37-3] and [38-3]): Includes Bell Cut, Fire Trouble, Receiver/F-TP Touchpad Fail-to-Respond, Receiver Tamper, Receiver JAM, Wireless Smoke Low Battery, Wireless Smoke Supervisory Failure, Wireless Low Battery, Wireless Supervisory

Fail, Wireless Tamper, Stuck PIR Failure, Zone Trouble. Contact ID format will report trouble(s) by device and ID number.

[39]Opening/Closing Report, Telco 1

Select users required to send opening and closing reports to Telephone Number 1. Do not program for users that are intended to send a *Cancel Code* or *Conditional Closing* reports.

Backup Telco Programming

[40]Backup Subscriber ID Number

For 4/2 format, enter a 4 digit number. If 3/1 format is required, enter a 3 digit number then press the **[INSTANT]** key.

[41]Backup Telephone Number 2

Program the telephone number to be dialed for Telephone Number 2. A fixed dial tone detection (E) is included prior to the *Dialing Prefix* [44]. To program any additional delay enter a "D" where required in the telephone number.

[42]Backup Receiver Format

Refer to section [32] Receiver Options.

[44]Dialing Prefix

Dialing prefix for Telco 1, Backup, and Pager. Program if using an Outside access number. A pre-dial delay of 4 seconds is included by default in the *Dialing Prefix* (Address 44). For a delay of 4 seconds, program "D" in first location. If a fixed dial tone detection is desired, program "E" in the first location.

[45]Communicator Features 1

(1) **Communicator Enabled** - Program to enable the communicator.

(2) **DTMF with Rotary Backup** - The first attempt to communicate is dialed using the TouchTone method of dialing, subsequent attempts are dialed using the pulse method of dialing. Disable this feature to dial using only rotary dialing.

(3) **DTMF only** - All attempts to communicate dial using the TouchTone method of dialing.

(4) **Backup Reporting** - After 2 attempts are made to communicate to Telco 1, the backup phone number is dialed **[41]Backup**.

[46]Communicator Features 2

(1) **Disable Call Waiting** - Default is *disabled*. If this feature is enabled, the first attempt will dial "*"70" prior to the telephone number (disabling the call waiting tone during the alarm transmission). If the first call does not get through, subsequent attempts will dial as programmed.

(2) **2:1 Rotary Dialing** - Changes the make break ratio when rotary dialing from 1.5:1 to 2:1.

(3) **Backup if <4 attempts** - If *Backup Reporting* [45-4] has been enabled, the communicator will use *Telephone Number 2* [41] for the remaining retries when there are less than 4 retries remaining.

(4) Reserved

Pager Programming

If Pager Format is enabled, pager data will be displayed as shown in Figure 8. If Pager Format is selected, 4/2 format must be programmed and Sumcheck is not

permitted. If a PIN number is required, refer to Leading Digits [47].

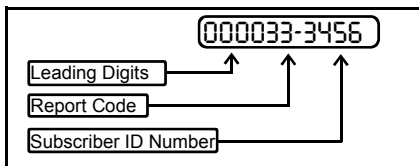


FIGURE 8 DEFAULT PAGER DISPLAY

Pager Alarm data is the same as 4/2 format with the exception that the 2 digit Report Code is transmitted before the 4 digit Subscriber ID.

NOTE:
Digits in Report Codes and subscriber IDs that are programmed with "B" through "F" will be converted to "0"s.

[47]Pager Leading Digits

Pager PIN Number - If a PIN number is required by the paging system, program the PIN number in the Leading Digits location.

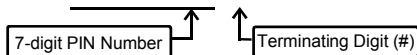
See sample program below.

If a 7-digit PIN number is required, program the panel as follows:

[31]/[41]/[51] - Telephone number

[32]/[42]/[52] - Select Format

[47] - **X X X X X X X C**



Leading and Trailing digits can be letters B, C or D. B = the * button on a telephone, C = the # button on a telephone, D = 2 second delay.

[48]Pager Trailing Digits

Transmitted after alarm data. Refer to section [47] for programming information.

[49]Pager Options

(1) **Skip Alarm Data** - Once pager format is selected, program this option to skip alarm data. If this option is selected, all the programmed Leading and Trailing digits are sent, but the event code and subscriber ID are not transmitted. With this option selected, a telephone number programmed in Leading Digits or Trailing Digits would send the telephone number to the pager each time a report is sent.

(2) **Reserved**

(3) **Reserved**

(4) **Reserved**

[50] - [59]

Programming is the same as for Telco 1. Program to split/double report to Pager. Refer to sections [30] through [39].

Report Codes

[60]Pager Format Zone Report Codes

Report Code for Zones 1 through 8.

4/2 format - The Zone Report Code is the 1st digit of the report code sent, the second digit is the zone number of the reporting zone. For example, if zone 2 has a report code of 3, the report code would be 32.

3/1 format - Sends only the report Code and does not append it with the zone number.

[61]Contact ID Report Codes

Contact ID Report Codes are defaulted to

Burglary for zones 1 through 8. Optionally, Contact ID codes for zones 1 through 8 can be programmed as follows:

[1] Fire	[9] Reserved
[2] Panic	[A] Auxiliary
[3] Burglary	[B] 24 Hour Aux.
[4] Holdup	[C] Reserved
[5] General Alarm	[D] Burg Perimeter
[6] Reserved	[E] Burg Interior
[7] Gas Alarm	[F] Tamper
[8] Heat Alarm	

[62]Pager Format Zone Codes

[62-1] Restore Code - Zones 1 through 8. The second digit of the restore code is the zone number of the restored zone. For example, if the Zone Restore Code [62] is programmed to E, the restore code for that zone would be E4 (4/2 format).

[62-2] Zone Trouble (Status) Code - Modifies Conditional Closing Reports. If zones are bypassed at the time of arming, the Conditional Closing report is sent along with the zone number of the bypassed zone(s) (Contact ID code 570-00X). For example, a conditional closing by User 2, with zones 2 and 3 bypassed would be as follows:

1234	C2
1234	F2
1234	F3

[63]Pager Format System Report Codes

Program a 2-digit report code for *Touchpad Fire*, *Touchpad AUX*, *Touchpad Panic*, *Test Timer*, *AC Fail*, *Low Battery*, *Trouble* and *Fire*.

[64]Pager Format System Restore Code

The code sent when a system condition restores. The second digit of the 2-digit restore code is the second digit of the System Report Code [63]. For example, if a Low Battery System Report Code is F8 the Battery Restore would be E8 (4/2 format).

[65]Pager Format Opening and Closing Codes

Program Opening and Closing Codes for Users 1 through 8. The second digit of the report code is the number of the user that armed or disarmed the system. For example, if the Closing Code [65] is programmed with a C, the closing code for User 2 would be C2 (4/2 format).

[66]Pager Format Ambush Report Code

Program a 2-digit report code for Ambush. To send an ambush report, program a User Code for User 8, Program report User 8 as Ambush [20-4] and Select reporting for Telco 1 [36-2] and/or Pager [56-2].

Enhanced Comm. Features

[67]Telephone Number 1

(1) **Send Cancel Report** - Default is *enabled*. When enabled, will allow a 5 minute window during which a Cancel Report (Contact ID code 406-00X) will be transmitted should the system be disarmed during this time. This 5 minute cancel window starts at the end of the abort timeout if the abort feature is enabled; otherwise the 5 minute timeout starts immediately upon the alarm. Only non 24-hour zones start the Abort delay and Cancel report timers.

(2) **Conditional Closing Telephone 1** - When enabled, all users that are not selected to report an Opening/Closing ([39],

[59]) will report a Closing only when zones have been bypassed (Contact ID code 400-00X). The Status Report (Contact ID code 570-00X) and [62-2] for Pager format is used to report zones that have been bypassed at the time of the closing report.

(3) **Enable "GEM-KEYF"**

(4) **Enable "UL G"**

[68]Pager Reporting

(1) **Cancel Code** - see [67-1].

(2) **Conditional Closing Pager** - see [67-2].

(3) **Reserved**

(4) **Enable F-TP Ambush Sounder** - If enabled, when disarmed using a deadbolt, the F-Touchpad will produce a sounder during the 15 second Ambush window.

[69]Miscellaneous Features 4

(1) **Priority on all zones** - When disarmed, a non-bypassed faulted zone will flash the zone number. A faulted non-bypassed zone will prevent arming. (Required for UL installations).

(2) **Reserved**

(3) **CHIME disabled on Power Up** - All perimeter zones will not chime on fault. Keypad, if used, will allow toggling chime on/off.

(4) **Fire Alarm Verification** - Default is *disabled*. If this feature is enabled, the first trip of a smoke detector will not generate an alarm. The panel will remove power from the smoke detector for 14 seconds, allow the smoke detector to reset for 6 seconds then wait for another trip for 60 seconds. Only if another trip is sensed within the 60 seconds will the system generate a fire alarm. (Not for California State Fire Marshall approved installations).

SIA CP-01 / Misc. Features

[70] Miscellaneous Features 5

(1) **Exit Restart Enabled** - Default is *enabled*. When enabled, exit delay will be re-started if an egress door is opened, closed then re-opened. This will occur only once per arming period.

(2) **Convert Away to Stay if No Exit** - Default is *enabled*. The system arms in the Stay mode if the exit delay expires and no exit has been made.

(3) **Enable Bypass For Zone 6 Supervisory Zone** - Default is *disabled*. New location enabled for Cellular Backup. Allows zone 6 to be bypassed, and on an open reports contact ID code 330. Requires [70-4] to be enabled. If [70-3] is enabled, the bell will chirp 8 seconds after arming and it will chirp a second time after the Central Station has acknowledged the receipt of the closing report.

(4) **Zone 6 24Hr Supervisory Zone** - New location enabled for Cellular Backup. Default is *disabled*. If enabled, Zone 6 will act as follows: 24 Hour zone, short on Zone causes alarm with pulsing bell, 1 second on, 1 second off. An open on zone 6 will cause a trouble report and zone 6 will display on the F-TP Touchpad. Alarm time-out follows Fire time-out unless feature [70-3] is enabled.

[79]Abort Delay By Zone Mask

All 8 Zones enabled by default.

[80]No Auto-Reset

All 8 Zones enabled by default. This feature only allows one trip per arming period. The panel must be disarmed then rearmed for a burglary zone to generate an alarm again.

[89]Cross Zoning

All 8 Zones disabled by default. Requires two zones in mask to trip within 90 seconds of each other before an alarm transmission sequence (alarm report) is set to Central Station. **Note:** If No Auto-Reset [80] is enabled, only 1 trip per Group per arming period will occur.

Wireless

Up to two receivers can be wired to the F-8 Panel. Each wireless transmitter can be mapped to a zone. Only 1 wireless device is permitted per zone, however, the use of both hardwired and wireless on a zone is permitted.

To Map a transmitter to a zone:

1. Enter the Programming address number to which the transmitter is to be mapped.
2. Enter the 7-digit RF ID number directly, just as it is shown on the device label. After the 7th digit is entered the keypad will beep.

A transmitter will send a transmission every time it is tripped. The transmitter also sends a supervisory transmission about once every hour. If the receiver does not receive a signal from a transmitter in the time programmed in Wireless Supervisory Timer, a system trouble "RF Supervisory Failure" will be indicated at the keypad.

Program Wireless Supervisory Timer [16] to change the supervisory time from the default of 12 hours.

The Signal strength of a transmitter can be checked at the keypad (see **FUNCTION** **7F** Fault Find Mode).

[71-78] Wireless Transmitters

Enter the RF ID# and the point number that is to be mapped to the zone.

Programming Example

Map point 1 of a window door transmitter with an RF ID# of 0012B0:0 to Zone 3.

1. Enter Installer Mode.
2. Enter **RESET** (beeps) **7F** **3** (beeps).
3. Enter **1** **2** ***** **2** **0** **0**.
4. Enter **1** (beeps).

Note: If the RF ID# in step 3 is not entered correctly, the keypad will emit a 1 second tone indicating incorrect entry. Repeat steps 2 - 4 above.

[81] - [84] Wireless Keyfobs

The GEM-KF is a hand-held wireless transmitter capable of Arming and Disarming the control panel and/or activating 2 Auxiliary Functions. To activate the auxiliary functions, press and hold the [A1] or [A2] key for 1.5 seconds (see WI752 for more information).

Enter the RF ID# and AUX 1 and AUX 2 options for each Keyfob.

AUX 1 & AUX 2

Programming Options:

1 Panic

Program a 1 in the AUX 1 and/or AUX 2

option to initiate a panic alarm when the [A1] or [A2] buttons on the Keyfob are pressed.

Additional programming required:

- Touchpad Panic [20-3]
- Panic Report to Telco 1[36-2] and/or Pager [56-3]
- Audible Panic (Optional) [21-1]

2 AUX

Program a 2 in the AUX 1 and/or AUX 2 option to initiate a AUX alarm when the [A1] or [A2] buttons on the Keyfob are pressed.

Additional programming required:

- Touchpad AUX [20-2]
- AUX Report to Telco 1[36-2] and/or Pager [56-2].

3 Bell ON

Program a 3 in the AUX 1 and/or AUX 2 option to turn the Bell ON when the [A1] or [A2] buttons on the Keyfob are pressed. Press the [OFF] button to turn the Bell OFF.

4 PGM

Program a 4 in the AUX 1 and/or AUX 2 option to activate the PGM Output when the [A1] or [A2] buttons on the Keyfob are pressed. Press the [OFF] button to turn the PGM Output OFF.

5 Instant

Program a 5 in the AUX 1 and/or AUX 2 option to activate Instant Mode when the [A1] or [A2] buttons on the Keyfob are pressed.

6 RESERVED

7 Full Set System

Program a 7 in the AUX 1 and/or AUX 2 option to Fully Set the System when the [ON] and the [A1] or [A2] buttons on the Keyfob are pressed, or when the [A1] or [A2] buttons are pressed when the system is armed with *Exit/Entry Follower Zones*.

Program an 8 in the AUX 1 and/or AUX 2 option to Bypass *Exit/Entry Follower Zones*.

[85] - [88] Wireless Smoke Detectors

Enter the RF ID# of the smoke detector.

A wireless smoke detector sends a supervisory transmission about once every hour. If the receiver does not receive a signal from a transmitter in the time programmed in *Wireless Smoke Supervisory Timer*, a system trouble "RF Smoke Supervisory Failure" will be indicated on the keypad.

Program *Wireless Smoke Supervisory Timer* [17] to change the time from the default time of 8 hours. Refer to Household Fire [96-3].

Note: Mark Smoke Detectors (Smoke 1 through Smoke 4) in order to identify them in the event of a supervisory or battery failure. If *Household Fire* [96-3] is selected, Wireless Smoke Supervisory Time is fixed at 4 hours.

Downloading

[90]Callback Telephone Number

Program the phone number of the downloading computer to be dialed by the panel during a high security download.

[91]Ring Count

Program the number of rings before the panel will pick-up. *Ring Method* [92-1] (*Downloading Features*) must also be selected.

[92]Downloading Features

(1) **Ring Method** - Enable the ring method of downloading. The panel will pick-up on the number of rings programmed in *Ring Count* [91].

(2) **Answering Machine Override** - Select this method to enable the panel to respond to a Second Call Download. Using PCD-Windows downloading software, the downloading computer will dial the panel phone number, wait for the programmed Second Call Duration, hang up and then redial. When the panel recognizes the second ring, it will respond to the download. Ensure that the PCD-Windows account has been configured for Second Call (see Panel selection, Download to Panel tab).

(4) **Reserved.**

[93]Auto Download ID Number

Enter the number that is used by PCPreSet when downloading using the Site Initiated Auto Downloading function (**FUNCTION** **6**).

The requirements for Site Initiated Auto Downloading are as follows:

1. An F-PROG Keypad must be connected to the system.
2. Download Computer running PCPreSet.
3. Program the telephone number of the Download Computer in location [90] *Callback Telephone Number*.
4. Program location [93] with the number of the PCPreSet account that is to be downloaded.

PCPreSet

1. Create the F-8 Panel account to be downloaded using PCD-Windows Quickloader Software.
2. Create a List using PCPreSet.
3. Select the account by pressing **F8**. Select the desired account from the list of PCD-Windows accounts available. (The location in the list is the *Auto Download ID Number* [93])
4. Tag the list by entering **ALT** **D** (download)
5. Enter Standby Mode by entering **F4**.

The Computer is now in STANDBY mode

Site

At the site perform the following three steps:

1. Arm the panel.
2. Disarm the panel.
3. Enter **FUNCTION** **6**. The panel will now call the download computer running PCPreSet. PCPreSet will answer the call, establish a connection, and then download the account that matches the *Auto Download ID Number* [93] with the account of the same number in the list that PCPreSet is currently running.

Installer Programming

[94]Installer Code

The default Installer Code is **6321**. Program a new 4-digit Installer Code. When the panel is defaulted, the Installer Code will be changed back to the default Installer Code of **6321**.

[95]Master IFOB / User 1 Code

The 1st User Code is a program code as well as an Arm/Disarm code. The default User Code is **1234**. If User 1 Code Lockout is programmed, the User 1 Code cannot be programmed from User Program Mode.

[96] Installer Options 1

Note: All programming within Programming addresses [96] & [97] will not change if the panel is defaulted.

(1) **Reserved**

(2) **User 1 Code Lockout** - If programmed, the User 1 Code cannot be re-programmed from User Program Mode.

(3) **UL Household Fire** - Activates the following UL required features:

There is a 4 hour re-sound of wireless Smoke Low Battery and wireless Smoke Supervisory system troubles.

- An active System Battery test performed every 4 hours (instead of 24 hours) and Wireless Smoke Supervisory Timer is set to 4 hours.
- Fire Bell converts to Temporal pattern (March Time).
- Wireless Smoke Supervisory Time is fixed at 4 hours.

(4) **SIA CP-01 Features**. Enabled by default. When enabled, the following features take effect:

1. The minimum allowed programmable exit time is 45 seconds.
2. Exit urgency enunciation.
3. "Report and Enunciate Exit Error"/ (Exit Error is door open at end of exit delay) sends "CF" code for pulse formats and 374 Point ID.
4. "Report Recent Close". If an alarm occurs within 2 minutes at the end of exit delay, Panel reports "FC" code for pulse formats and 459 Point ID.
5. The minimum allowed Entry time is 30 seconds.
6. Enter Urgency Annunciation is changed from steady sounder to steady with pulsing off. This ensures that the mini-sounder on alarm (steady sounder) sounds different from enter urgency.
7. "Silence Entry Sounder on First Button Press". During Entry delay, pressing any digit on the keypad stops the entry sounder for 10 seconds.

[97] Installer Options 2

(1) **Reserved**

(2) **Reserved**

(3) **Enable Wireless on Zone 7**

(4) **User 1 Code-Program only** - If enabled, User 1 Code will function only as the User Program Code and will not Arm/Disarm the panel.

Note: All programming within Programming addresses [96] & [97] will not change if the panel is defaulted.

[98] Number of Re-Dials

The number of re-dial attempts made by the panel before indicating a *Fail-to-Communicate* (System Trouble 1-3).

Download-Only Features

The following Features are only changeable through downloading:

Abort Delay Time

Abort delay time defaults to 30 seconds for zones programmed in [79].

Abort Enunciation After Disarm

Enabled by default. If the system disarmed in the abort time window, the keypad chirps 6 times indicating disarm, then chirps another

6 times indicating that the report was aborted.

Cancel Enunciation after Disarm

Enabled by default. If a Cancel Report Code (406-00X) was sent upon disarming, the keypad chirps 6 times indicating the system is disarmed. The keypad then chirps 3 times indicating a Cancel Report Code was transmitted.

Cross Zone Audible Alarm on First Trip

Enabled by default. First trip of a Cross Zone will initiate the bell output.

Suppress Test Timer on any Report

Disabled by default. If enabled, any report (opening, closing, alarm, etc.) will prevent the next Test Timer report from being sent.

Test Timer Interval in hours

Disabled by default. If enabled, the test timer interval changes from days to hours programmed in location [14].

Day Zone on Open by Zone Mask

When selected, a zone will produce a system trouble indication for trouble on a zone. The event is logged and reported on the Trouble Report [37-3] channel as Day-Zone Point ID(370). (Mercantile Panel Specification).

Pulse Bell on Alarm by Zone Mask

When selected, a zone will produce a pulsing bell at 1 second on, 1 second off rate and timeout based on the fire timeout selected. This feature is provided principally for the case zone 6 must be used for key-switch input. (Mercantile Panel Specification).

System Troubles

The Freedom System is constantly monitoring its own components, as well as all critical services, such as AC power and the telephone line, to ensure that it is always ready to provide the protection for which it was designed. When a system trouble occurs, the F-TP Touchpad will caution you with a Trouble (TBL) light and a beeping sounder.

Viewing System Troubles

To determine the nature of the system trouble, press SILENCE, count the number of Trouble **TBL** and **READY** flashes and refer to the System Trouble Display Table below. If there is more than one trouble to view, press SILENCE again to scroll to the next trouble, and press SILENCE again to exit the VIEW TROUBLE mode. The **TBL** light will remain lit as a reminder if the trouble is still present.

Audible System Trouble Indication

For all system troubles, except when the only system trouble is the loss of AC, the F-TP Touchpad will beep once every 10 seconds. The F-TP Touchpad will continue to beep until the reset button is pressed or the trouble has been acknowledged by pressing SILENCE.

Contact ID System Trouble Report Codes

The following system troubles, when enabled to report to central station [38-3] will report the unique trouble code below::

Bell Cut	CODE 1 321 G00 ZN000-BELL 1 TROUBLE
2-Wire Fire Trouble	CODE 1 373 G00 ZN000-FIRE LOOP TRBLE
Rcvr &/or EZT Fail-to-Respond	CODE 1 382 G00 ZN000-SENSOR TROUBLE
Receiver Tamper	CODE 1 145 G00 ZN000-EXP. MODL. TAMPER
Receiver JAM	CODE 1 333 G00 ZN000-FIRE LOOP TRBLE
Tx Low Battery	CODE 1 384 G00 ZN00n-RF TRAN LOW BATT
Tx Supervisory Failure	CODE 1 381 G00 ZN00n-SUPERVSN LOSS RF

A **300** (SYSTEM TROUBLE RST) code is sent if a restore is reported after multiple troubles.

Pager System Trouble Reporting

The following system troubles, when enabled to report to pager [57-3], will send the report code programmed in Trouble Report [63]:

Bell Cut	F1	Tx Low Battery	F1
2-Wire Fire Trouble	F1	Tx Supervisory Failure	F1
Rcvr Fail-to-Respond	F1	Smoke Low Battery	F1
Receiver Tamper	F1	Smoke Sup. Failure	F1
Receiver JAM	F1		

Freedom Touchpad System Trouble Display Table

TBL Flashes / Touchpad beeps	READY Flashes	Trouble Condition	Action
STEADY	NONE	Zones Bypassed	This is an indication that zones have been bypassed (by pressing BYPASS).
1	NONE	AC Power Failure	This trouble will occur if AC power is not present. Make sure the system transformer is plugged into its AC receptacle and check the circuit breaker. Typical voltage reading at the AC terminal (Term 1 & 2) is 17V AC.
2	NONE	Low Battery	If there has been a recent power failure, the battery may be partially depleted and must be recharged by the F-8 Panel. If the battery does not re-charge in 24 hours, replace battery.
3	NONE	Communication Failure	The system was not able to report to central station. If this is due to a temporary interruption in the telephone service, the trouble can be cleared when the service is restored by pressing BYPASS again.
4	NONE	Telephone Line Cut	The telephone line has failed. If telephone service has been temporarily interrupted, the trouble will clear when it is restored. Otherwise, call for service.
5	NONE	Bell/Siren Trouble	The Bell / Siren loop is open. Check the wire running from Terminal 14 of the F-8 Panel to Terminal 4 of the F-TP Touchpad.
6	NONE	Lost Key Mode	If the deadbolt key has been lost or stolen, the system may be placed in "Lost Key Mode" by pressing and holding STAY and AWAY simultaneously for 4 seconds. In this mode, the system will not disarm when the deadbolt is disengaged. Upon entry, the F-IFOB must be used to disarm the system or it will go into alarm. To exit this mode, press and hold STAY and AWAY simultaneously for 4 seconds.
7	NONE	Fire Zone Trouble	The Fire loop is open. Ensure that the 2.2K Ohm supervisory resistor is across Terminals 12 & 13.
1	1	Wireless Receiver Tbl	The GEM-RECV-XP8 wireless receiver is not responding to polls from the control panel. Ensure that the receiver connections are correct. The red LED on the receiver should be pulsing to indicate proper communication with the control panel.
2	2	Wireless Receiver Jam	The GEM-RECV-XP8 wireless receiver is sensing constant RF carrier, which may interfere in its operation. Remove the cover of the receiver and check the green Receive LED. It should only light (blink) while it is receiving a transmission from one of the transmitters. If it is lit steadily, another source of RF is present.

Freedom Touchpad System Trouble Display Table (continued)

TBL Flashes / Touchpad Beeps	READY Flashes	Trouble Condition	Action
3	1-8	Wireless Transmitter Low Battery	The battery in a wireless transmitter is low and should be replaced. This transmitter is on the zone corresponding to the number STATUS flashes. The replacement battery for the GEM-Trans2 door/window transmitter, GEM-PIR motion detector and GEM-GB glass break detector is the Duracell DL123A 3 Volt Lithium (2 required for the GEM-PIR and GEM-GB). The GEM-DT Dual Technology Sensor requires 4 C cell alkaline batteries. Warning: Replace batteries only with the same type as specified above. Use of another battery may present a risk of fire or explosion. Do not recharge or disassemble battery, or dispose of in fire.
4	1-8	Wireless Transmitter Supervisory Failure	A wireless transmitter on the zone corresponding to the number STATUS flashes has failed to "check in" with its hourly supervisory signal. This signal must be received by the receiver at least once in the time period programmed in address [16] (Supervisory Timer, hours).
5	1-4	Wireless Smoke Detector Low Battery	The battery in a wireless smoke detector is low and should be replaced. The number of the smoke detector corresponds to the number STATUS flashes. The replacement battery is the Duracell MN1604 9 Volt Alkaline (2 required). Warning: Replace batteries only with the same type as specified above. Use of another battery may present a risk of fire or explosion. Do not recharge or disassemble battery, or dispose of in fire.
6	1-4	Wireless Smoke Detector Supervisory Failure	A wireless smoke detector on the zone corresponding to the number STATUS flashes has failed to "check in" with its hourly supervisory signal. This signal must be received by the receiver at least once in the time period programmed in address [17] (Wireless Smoke Detector Supervisory Timer, hours).

Contact ID Report Codes and GEM-OUT8 Outputs			
Point ID	Code	A*	GEM-OUT8 Output Activation
1 Fire	110-000		DO NOT PROGRAM
2 Panic	123-00X	Y	Output 3
3 Burglary	130-00X	Y	Output 4
4 Holdup	122-00X		
5 General Alarm	140-00X		
7 Gas Alarm	162-00X		
8 Heat Alarm	158-00X		
A Auxiliary	100-00X		
B 24 Hour Aux.	150-00X	Y	Output 6
C Reserved			
D Burg Perimeter	131-00X	Y	
E Burg Interior	132-00X	Y	
F Tamper	137-00X	Y	

*COLUMN A = INDICATES IF PGM (OR GEM-OUT8 OUTPUT 1) ACTIVATES IF [23-1]AUDIO VERIFICATION IS ENABLED

Contact ID Report Codes (Grouped by Type)	
Touchpad Codes	
F-TP Touchpad Fire	110-092
F-TP Touchpad Panic	123-093
F-TP Touchpad Aux Alarm	150-094
F-TP Touchpad Aux Service	616-000
F-TP Touchpad Ambush	121-000
System Codes	
Receiver Tamper	145-000
AC Fail	301-000
Low Battery	302-000
Bell Cut	321-000
Receiver Jam	333-000
Zone Trouble (Door Kick In)	370-00X
Fire Zone Trouble	373-000
Transmitter Supervisory Fail	381-00X
Wireless Smoke Sup. Fail	381-00X
Receiver Fail	382-000
Transmitter Tamper	383-00X
Transmitter Low Battery	384-00X
Wireless Smoke Low Battery	384-00X
Interior Zone Trouble (Stuck PIR Bypassed) ^{NOTE2}	389-00X
Conditional Open/Close	400-00X
Open/Close	401-00X
Cancel Report	406-00X
Status Report (Bypassed Zones)	570-00X
Test Timer	602-000
Communication Test	602-000

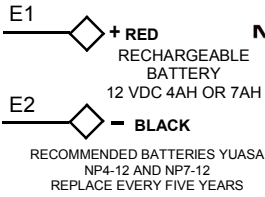
SIA CP-01 Quick Reference Chart	
Address	Description
[10] (enter 60)	Exit Time 60 Seconds
[11] (enter 30)	Entry Time 30 Seconds
[23-4]	Chirp Bell On Remote (Keyfob) Arm Enabled
[46-1] not on	Disable Call Waiting
[67-1]	Send Cancel Report
[69-4] not on	Fire Alarm Verification
[70-1]	Exit Restart Enabled
[70-2]	Convert Away To Stay If No Exit
[79-1,2,3,4,5,6,7,8]	Abort Delay By Zone Mask
[80-1,2,3,4,5,6,7,8]	Swinger Shutdown
[89-1,2,3,4,5,7,8]	Cross Zoning
[96-4]	CP-01 Features
(Download Only)	Abort Delay Time Default To 30 Seconds
(Download Only)	Abort Enunciation After Disarm
(Download Only)	Cancel Enunciation After Disarm
(Download Only)	Cross Zone Audible Alarm On First Trip
<ol style="list-style-type: none"> There is a Communication Delay of 30 seconds in this control panel. It can be removed, or it can be increased up to 45 seconds at the option of the end user by consulting with the installer. The F-8 control panel and at least one GEM-RP8LCD must be installed. The following optional accessories support the SIA False Alarm Reduction (FAR) classification, and may be used if desired: GEM-RECV-XP8, GEM-KEYF. Programming at Installation may be subordinate to other UL requirements for the intended application. Un-vacated premises: When the system/partition is armed with AWAY button, the system will arm STAY if no exit. There must be a minimum of one Stay/Away or Delay Stay/Away zone enrolled on the partition. Cross zoning is not recommended for Line security Installations nor is it to be implemented on exit / entry zones. There is a Communication Delay of 30 seconds in this control panel. It can be removed, or it can be increased up to 45 seconds at the option of the end user by consulting with the installer. Do not duplicate any reporting codes. This applies for all communication formats (other than SIA) sending automatic programmed reporting codes. In UL installations, Entry Delay time plus Abort Delay time (total combined times) cannot exceed 60 seconds. Exit Time Restart must be disabled for UL Line Security/Encryption applications. 	

NOTE 2: Any interior zone which is faulted at the point of arming and remains faulted (with no restore) for 4 hours will be considered a "stuck" PIR. A trouble report will be sent to central station indicating Interior Zone Trouble (Contact ID code 389-00X). See page 10, address [27-3].



F-8 PANEL WIRING DIAGRAM

(REFER TO INSTALLATION INSTRUCTIONS W11431)

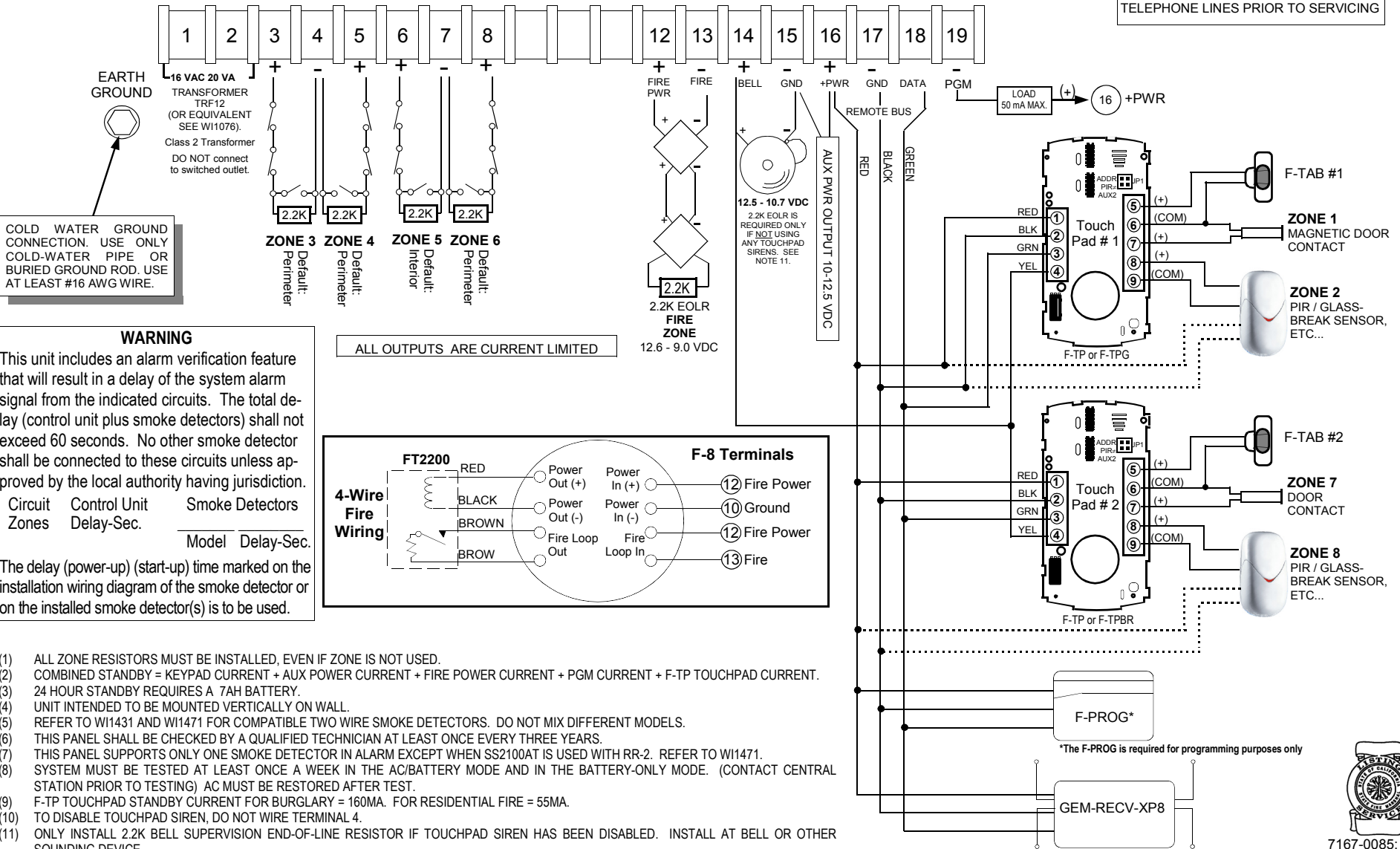


RESIDENTIAL BURGL (4 HOUR STANDBY)
COMBINED STANDBY CURRENT = 500 MA
ALARM CURRENT = 2.0 A

RESIDENTIAL FIRE (24 HOUR STANDBY)⁽⁹⁾
COMBINED STANDBY CURRENT = 120 MA
ALARM CURRENT = 95 MA BELL CURRENT, 275MA ADDITIONAL
AUX POWER OUTPUT AND ONE F-TP TOUCHPAD SIREN⁽¹⁰⁾

This equipment should be installed in accordance with Chapter 2 of the National Fire Alarm Code, ANSI/NFPA 72-1996 (National Fire Protection Association Batterymarch Park, Quincy MA 02269), and local codes. Information describing proper installation, operation, testing, maintenance, evacuation planning, and repair service is to be provided with this equipment. UL Listed Energy Cable is required.

WARNING: TO PREVENT RISK OF ELECTRIC SHOCK DISCONNECT TELEPHONE LINES PRIOR TO SERVICING



COLD WATER GROUND CONNECTION. USE ONLY COLD-WATER PIPE OR BURIED GROUND ROD. USE AT LEAST #16 AWG WIRE.

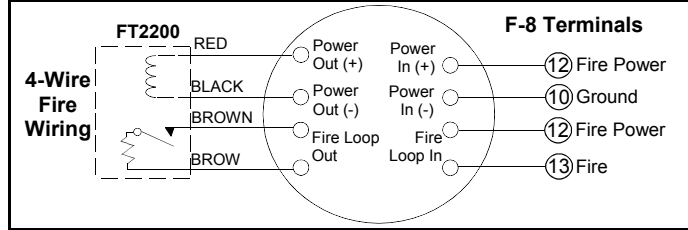
WARNING

This unit includes an alarm verification feature that will result in a delay of the system alarm signal from the indicated circuits. The total delay (control unit plus smoke detectors) shall not exceed 60 seconds. No other smoke detector shall be connected to these circuits unless approved by the local authority having jurisdiction.

Circuit Zones	Control Unit Delay-Sec.	Smoke Detectors Model	Delay-Sec.

The delay (power-up) (start-up) time marked on the installation wiring diagram of the smoke detector or on the installed smoke detector(s) is to be used.

ALL OUTPUTS ARE CURRENT LIMITED



- (1) ALL ZONE RESISTORS MUST BE INSTALLED, EVEN IF ZONE IS NOT USED.
- (2) COMBINED STANDBY = KEYPAD CURRENT + AUX POWER CURRENT + FIRE POWER CURRENT + PGM CURRENT + F-TP TOUCHPAD CURRENT.
- (3) 24 HOUR STANDBY REQUIRES A 7AH BATTERY.
- (4) UNIT INTENDED TO BE MOUNTED VERTICALLY ON WALL.
- (5) REFER TO W11431 AND W11471 FOR COMPATIBLE TWO WIRE SMOKE DETECTORS. DO NOT MIX DIFFERENT MODELS.
- (6) THIS PANEL SHALL BE CHECKED BY A QUALIFIED TECHNICIAN AT LEAST ONCE EVERY THREE YEARS.
- (7) THIS PANEL SUPPORTS ONLY ONE SMOKE DETECTOR IN ALARM EXCEPT WHEN SS2100AT IS USED WITH RR-2. REFER TO W11471.
- (8) SYSTEM MUST BE TESTED AT LEAST ONCE A WEEK IN THE AC/BATTERY MODE AND IN THE BATTERY-ONLY MODE. (CONTACT CENTRAL STATION PRIOR TO TESTING) AC MUST BE RESTORED AFTER TEST.
- (9) F-TP TOUCHPAD STANDBY CURRENT FOR BURGLARY = 160MA. FOR RESIDENTIAL FIRE = 55MA.
- (10) TO DISABLE TOUCHPAD SIREN, DO NOT WIRE TERMINAL 4.
- (11) ONLY INSTALL 2.2K BELL SUPERVISION END-OF-LINE RESISTOR IF TOUCHPAD SIREN HAS BEEN DISABLED. INSTALL AT BELL OR OTHER SOUNDING DEVICE.

*The F-PROG is required for programming purposes only

